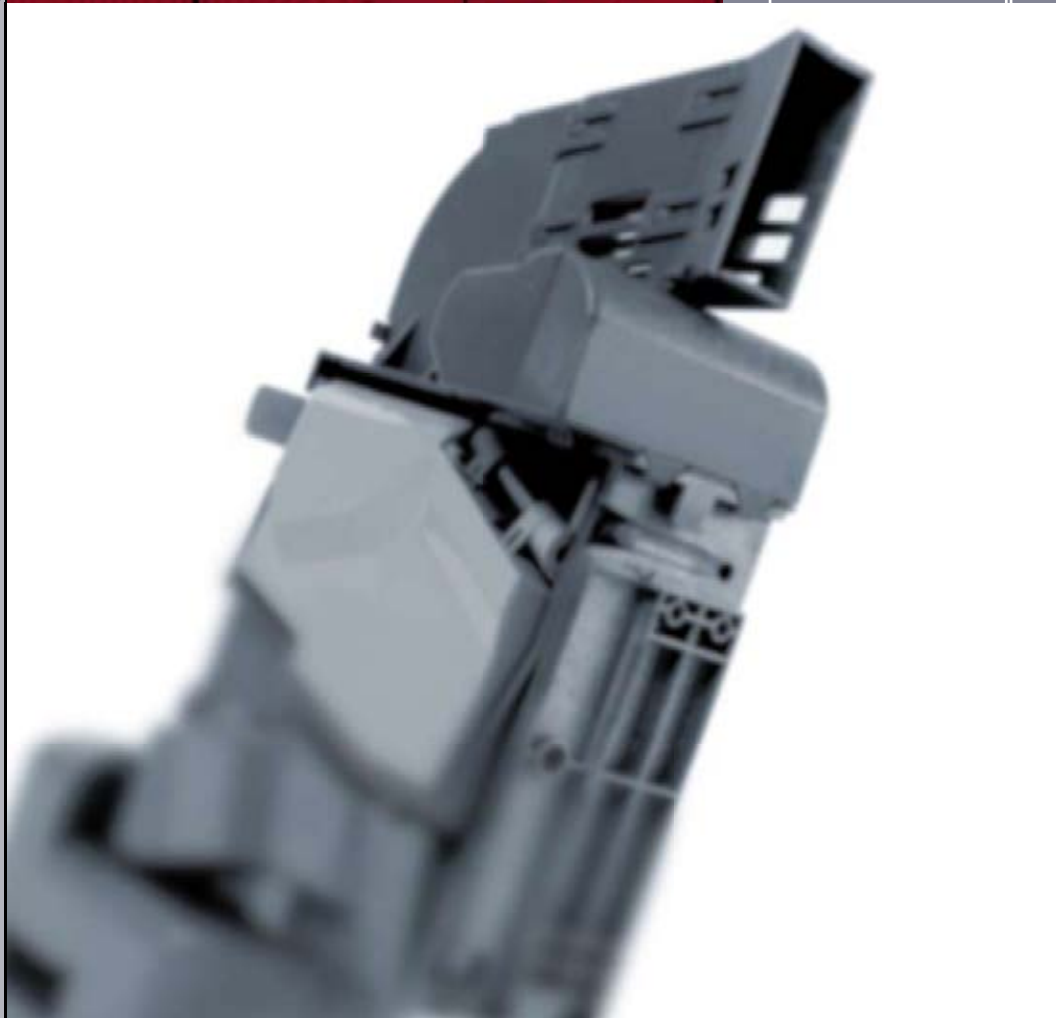
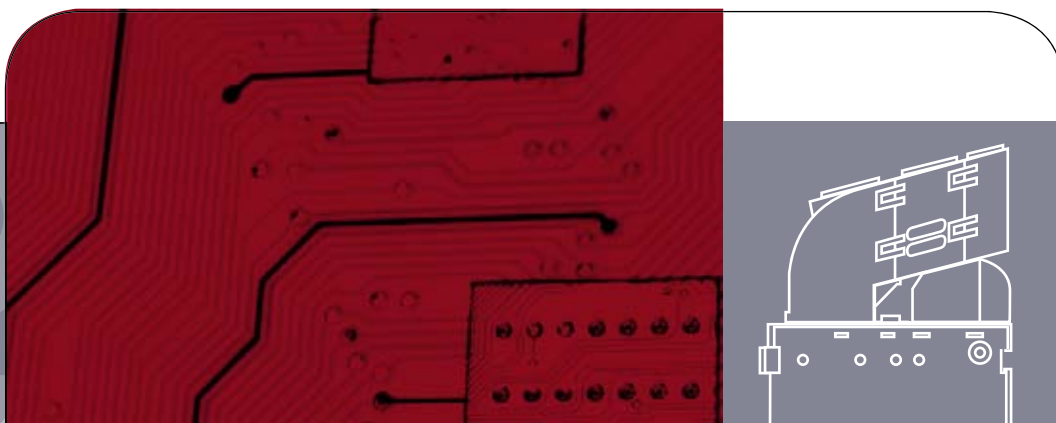


# Modular Sorters



**AZKOYEN**

MEDIOS DE PAGO

**E** **ENGEL**  
AUTOMATEN+TECHNIK

# Modular Sorters

Front



Linear



Z



**AZKOYEN**

M E D I O S   D E   P A G O

## Your Partner for Payment Technologies

### Introduction

**AZKOYEN Medios de Pago** is a division of the Multinational **AZKOYEN** Group. Since 1945, we have been working in an increasing number of sectors, spreading to more countries and dealing with a growing number of companies. Our philosophy is based on collaborating with our customers to develop a wide range of creative, secure, technological payment systems designed with the end user in mind.

### Our Commitments

#### 1. To attend your security requirements

- Anti-liquid design



#### 2. To make machine design easier

- Wide range for each application
- Recovery motor
- Extending coin guides



#### 3. To reduce cost

- Modular design which simplifies maintenance
- User friendly tools and software



### Standards

The entire range of AZKOYEN sorters complies with the following standards:

- **CE**
- **Rohs**
- **BACTA standards**

Your Partner for Payment Technologies

## Front Sorters

Compact sorter for X model validators: Allows coins to be diverted in 3 or 5 directions in addition to the rejection route.

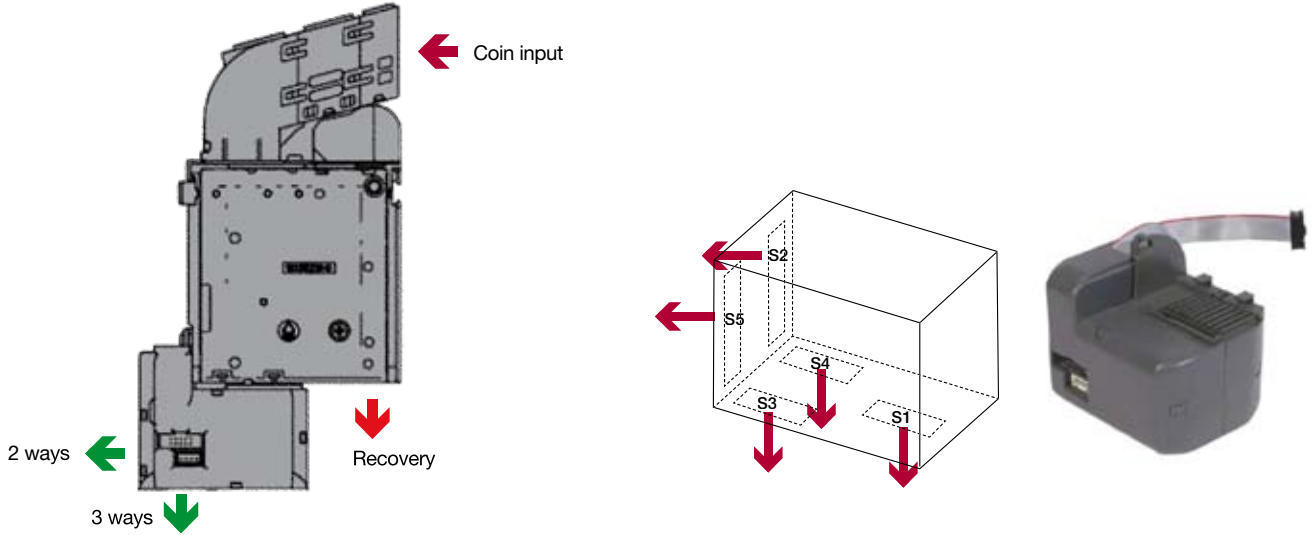


### **BENEFITS AND ADVANTAGES**

- Anti-liquid design
- Extending coin guides
- Modular structure
- Option of electronic recovery

## Modular Sorter Front Sorter

### Coin Management



#### Mechanical Characteristics

|                        |                    |
|------------------------|--------------------|
| Coin diameters         | 16.25 mm - 32.5 mm |
| Coin thickness         | 1.2 mm - 3.3 mm    |
| Dimensions             | 88,5 x 46 x 102 mm |
| Degrees of inclination | 3° on all axes     |
| Cycle Autocontrol      | Yes                |

#### Electrical Characteristics

|                 |          |         |
|-----------------|----------|---------|
| Voltage         | Nominal  | 12-24 V |
|                 | Minimum  | 10 Vdc  |
|                 | Maximum  | 15 Vdc  |
| Current         | Standard | 100 mA  |
|                 | Maximum  | 400 mA  |
| Activation Time |          |         |

#### Working Conditions

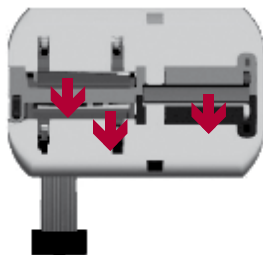
|  |                |
|--|----------------|
| Working Temperature                      | +5°C to +55°C  |
| Relative Humidity (without condensation) | 95 %           |
| Storage Temperature                      | -25°C to +70°C |

#### Accessories

- Coin guides with flexible configuration
- Recovery motor valid for 12-24 v.
- Two versions of securing kit (with and without recovery button)

#### Product Configuration

Lower output 3 and 5 ways



Lateral output 3 ways



Lateral output 5 ways



## Linear Sorters

Sorter with return in line for X model validators. Allows coins to be diverted in 3 different directions in addition to the rejection route

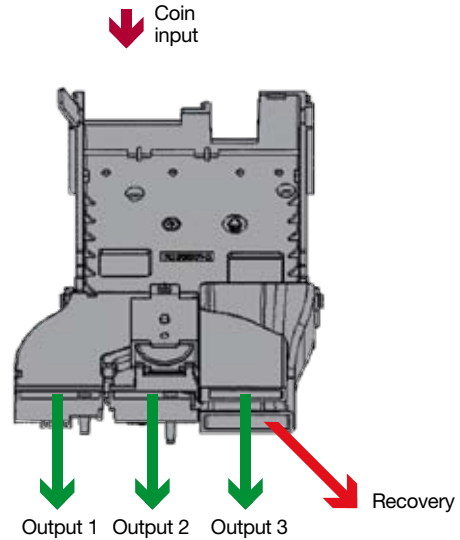
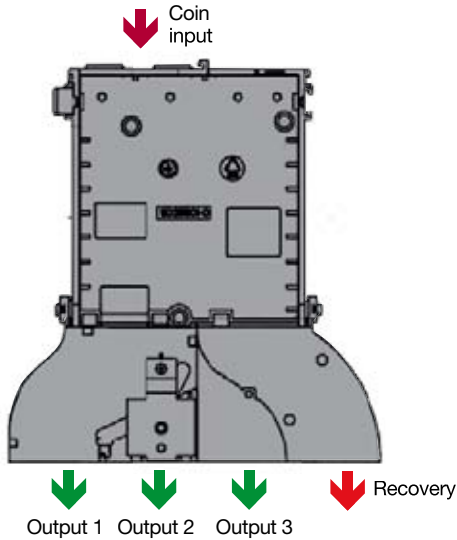


### **BENEFITS AND ADVANTAGES**

- Anti-liquid design
- Extending coin guides
- Modular structure
- Option of electronic recovery
- Compact and rejection-in-line versions

## Modular Sorter Linear Sorter

### Coin Management



#### Mechanical Characteristics

|                        |                    |
|------------------------|--------------------|
| Coin diameters         | 16.25 mm - 32.5 mm |
| Coin thickness         | 1.2 mm - 3.3 mm    |
| Dimensions             | 88,5 x 46 x 102 mm |
| Degrees of inclination | 3° on all axes     |
| Cycle Autocontrol      | Yes                |

#### Electrical Characteristics

|                 |          |         |
|-----------------|----------|---------|
| Voltage         | Nominal  | 12-24 V |
|                 | Minimum  | 10 Vdc  |
|                 | Maximum  | 15 Vdc  |
| Current         | Standard | 100 mA  |
|                 | Maximum  | 400 mA  |
| Activation Time |          |         |

#### Working Conditions

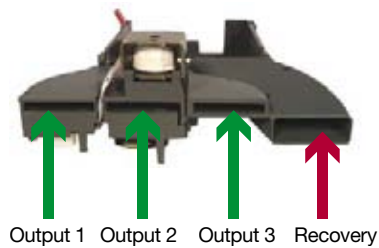
|  |                |
|--|----------------|
| Working Temperature                      | +5°C to +55°C  |
| Relative Humidity (without condensation) | 95 %           |
| Storage Temperature                      | -25°C to +70°C |

#### Accessories

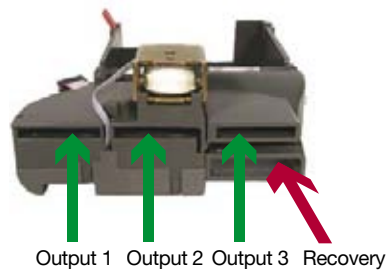
Coin guides with flexible configuration  
 Recovery module valid for 12-24 v.

### Product Configuration

3L



3S



## Z SORTERS

Sorter designed for Z model validators



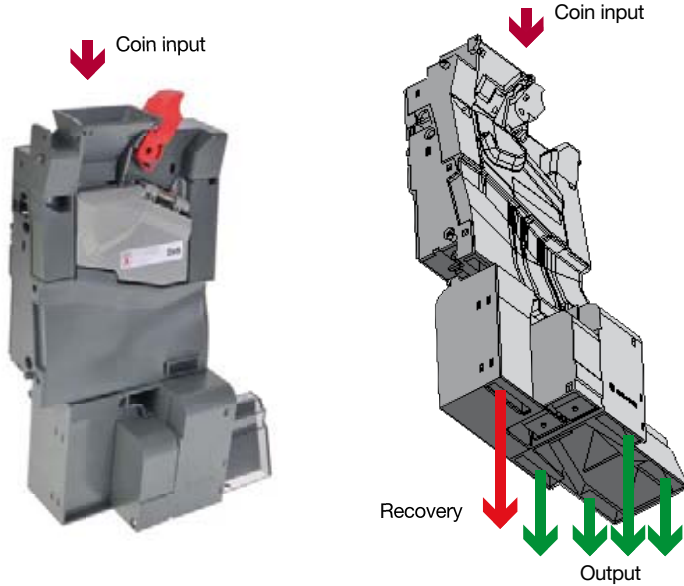
### **BENEFITS AND ADVANTAGES**

- Route control from validator
- Sturdy design



## Modular Sorter Z Sorter

### Coin Management



#### Mechanical Characteristics

|                        |                    |
|------------------------|--------------------|
| Coin diameters         | 16.25 mm - 32.5 mm |
| Coin thickness         | 1.2 mm - 3.3 mm    |
| Dimensions             | 88,5 x 46 x102 mm  |
| Degrees of inclination | 3° on all axes     |
| Cycle Autocontrol      | Yes                |

#### Electrical Characteristics

|                 |          |         |
|-----------------|----------|---------|
| Voltage         | Nominal  | 12-24 V |
|                 | Minimum  | 10 Vdc  |
|                 | Maximum  | 15 Vdc  |
| Current         | Standard | 100 mA  |
|                 | Maximum  | 400 mA  |
| Activation Time |          |         |

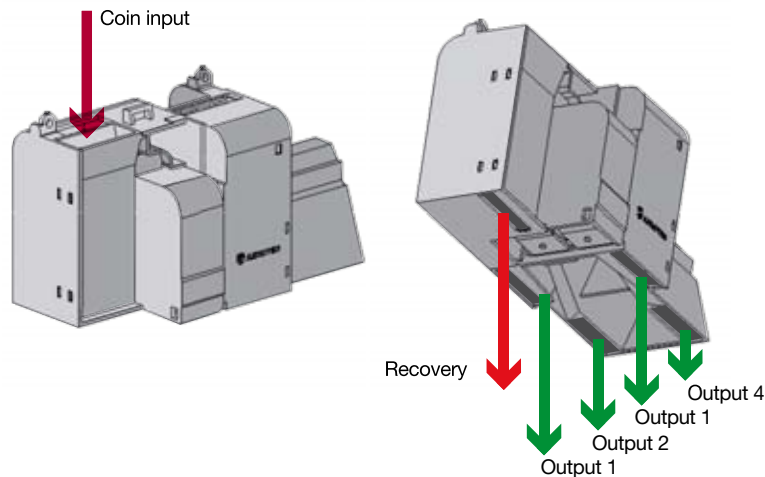
#### Working Conditions

|  |                |
|--|----------------|
| Working Temperature                      | +5°C to +55°C  |
| Relative Humidity (without condensation) | 95 %           |
| Storage Temperature                      | -25°C to +70°C |

#### Accessories

- Coin guides with flexible configuration
- Recovery module valid for 12-24 v.

### Product Configuration



## Securing Kit - Long



Front

Linear

Z



-

-

Metal plate 233 x 77 mm.  
 Recovery Button with and without light  
 Price holder  
 Recovery box  
 Electronic or mechanical recovery  
 Coin guide included with open system for easy cleaning and anti-jamming system.

**Ref: 41163171**



Front

Linear

Z

-

-



Metal plate 233 x 77 mm.  
 Recovery Button with and without light  
 Price holder  
 Recovery box

**Ref: 41083771**

## Securing Kit - Short



Front

Linear

Z



-

-

Metal plate 168X77 mm.  
 System which can be fitted to door without recovery box

**Ref: 41187251**



Front

Linear

Z

-

-

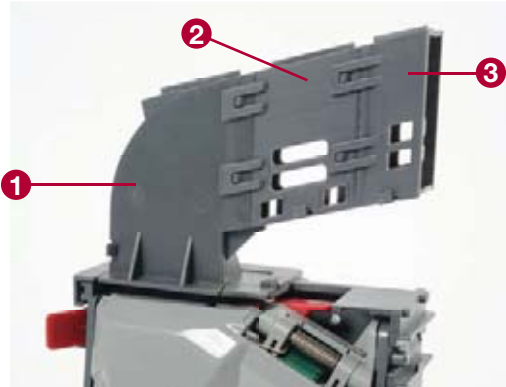


Metal plate 233 x 77 mm.  
 Recovery Button with and without light  
 Price holder

**Ref: 41083761**

# ACCESSORIES

## Extending Coin guide



- 1 Base Module
- 2 Intermediate Modules
- 3 End Module



|  | Front | Linear | Z |
|--|-------|--------|---|
|  | ●     | ●      | - |
|  | ●     | ●      | - |
|  | ●     | ●      | - |

Extending coin guides system. The length is set by fitting more or less intermediate modules  
 Designed with an open system that allow to remove the stuck coins and make easy its cleaning.

|                              | Front                 | Lineal                |
|------------------------------|-----------------------|-----------------------|
| 1 Base Module                | <b>Ref:11035241</b>   | <b>Ref:11035511</b>   |
| 2 Intermediate Modules       | <b>Ref:11035251</b>   | <b>Ref:11035251</b>   |
| 3 End Module                 | <b>Ref:11035261</b>   | <b>Ref:11035261</b>   |
| 4 Base Kit+Intermeditate+End | <b>Ref:42928891-0</b> | <b>Ref:42928901-0</b> |

## Recovery Motor







| Reference | Remote Control | Manual Control | Front | Linear | 12-24V |
|-----------|----------------|----------------|-------|--------|--------|
| 42929750  | ●              | -              | ●     | -      | ●      |
| 42928920  | -              | ●              | ●     | -      | ●      |
| 42929760  | ●              | -              | -     | ●      | ●      |
| 42929770  | -              | ●              | -     | ●      | ●      |

Recovery motor which direct, electromechanical activation of the validator return lever

Versions for independent recovery and machine-controlled recovery

Universal 12-24 Volt model

# COMMON DATA

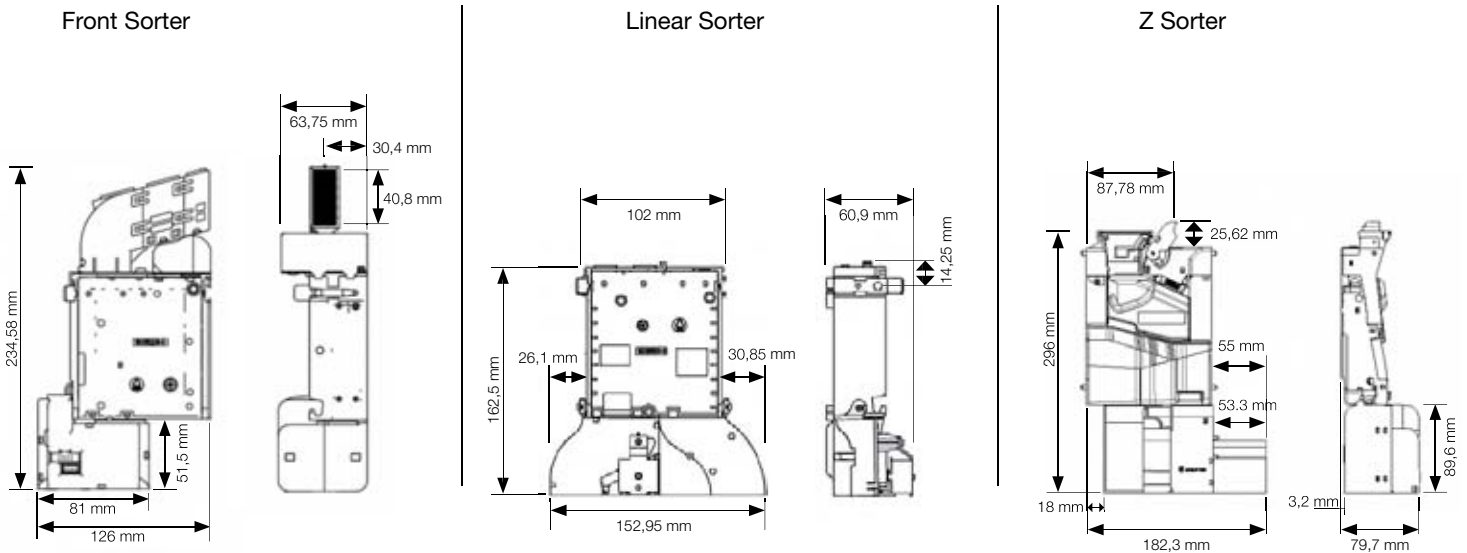
| Applications        |   | Front | Linear | Z |
|---------------------|---|-------|--------|---|
| Amusement           |  | ●     | ●      | ● |
| Transport & Parking |  | ●     | ●      | ● |
| Retail & Banking    |  | ●     | ●      | ● |
| Kiosk               |  | ●     | ●      | ● |

| Compatibility | Front | Linear | Z  |
|---------------|-------|--------|----|
| A6            | -     | -      | -  |
| AC6           | -     | -      | -  |
| X8B           | ●     | ●      | -  |
| X6            | ●     | ●**    | -  |
| C6*           | _*    | _*     | _* |
| Z6            | _*    | _*     | ●  |

\* included in sorter  
\*\* only for cctalk

| Protocols | Front | Linear | Z |
|-----------|-------|--------|---|
| Parallel  | ●     | -      | ● |
| ccTalk    | ●     | ●      | ● |

## Measurements



**AZKOYEN**  
MEDIOS DE PAGO

Avda. San Silvestre, s/n  
31350 Peralta (Navarra) Spain  
Tel.: 948 709 709  
Fax: 948 709 785  
E-mail: sales@azkoyen.com  
www.azkoyen.com

Vertrieb durch:



Asperger Str. 8 D-74321 Bietigheim-Bissingen  
Tel. +49 7142 9105-0 Fax +49 7142 9105-11  
Mail: info@engeltec.de www.engeltec.de